

# Crossovers

## FB08CX21 8 Ω

### SPECIFICATIONS

Nominal Impedance	8 Ω
Crossover Frequency	2 kHz
Filter Type	Two Way
Slope	12 - 12 dB/oct
Overall Dimensions	108x97 mm (4.25x3.82 in)

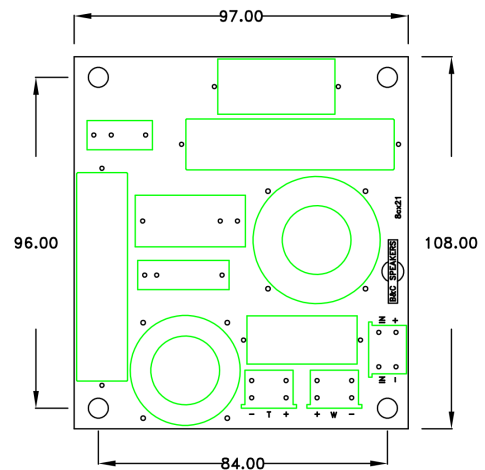
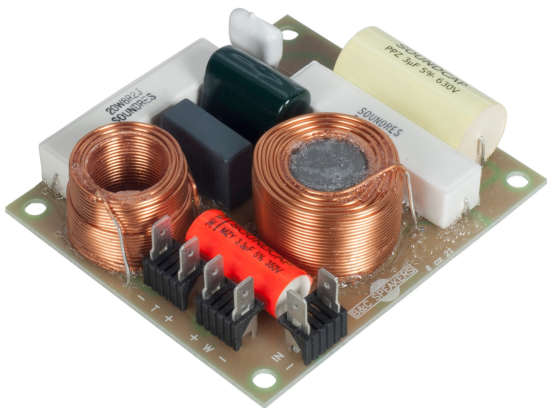
### MOUNTING AND SHIPPING INFO

Other details	6 mm diameter holes on the PCB at 96 mm x 84 mm
Net Weight	0.41 kg (0.9 lb)
Shipping Units	1 pcs
Shipping Weight	0.44 kg (0.97 lb)
Shipping Box	120x125x35 mm (4.72x4.92x1.38 in)

### POTENTIAL APP. COAXIALS

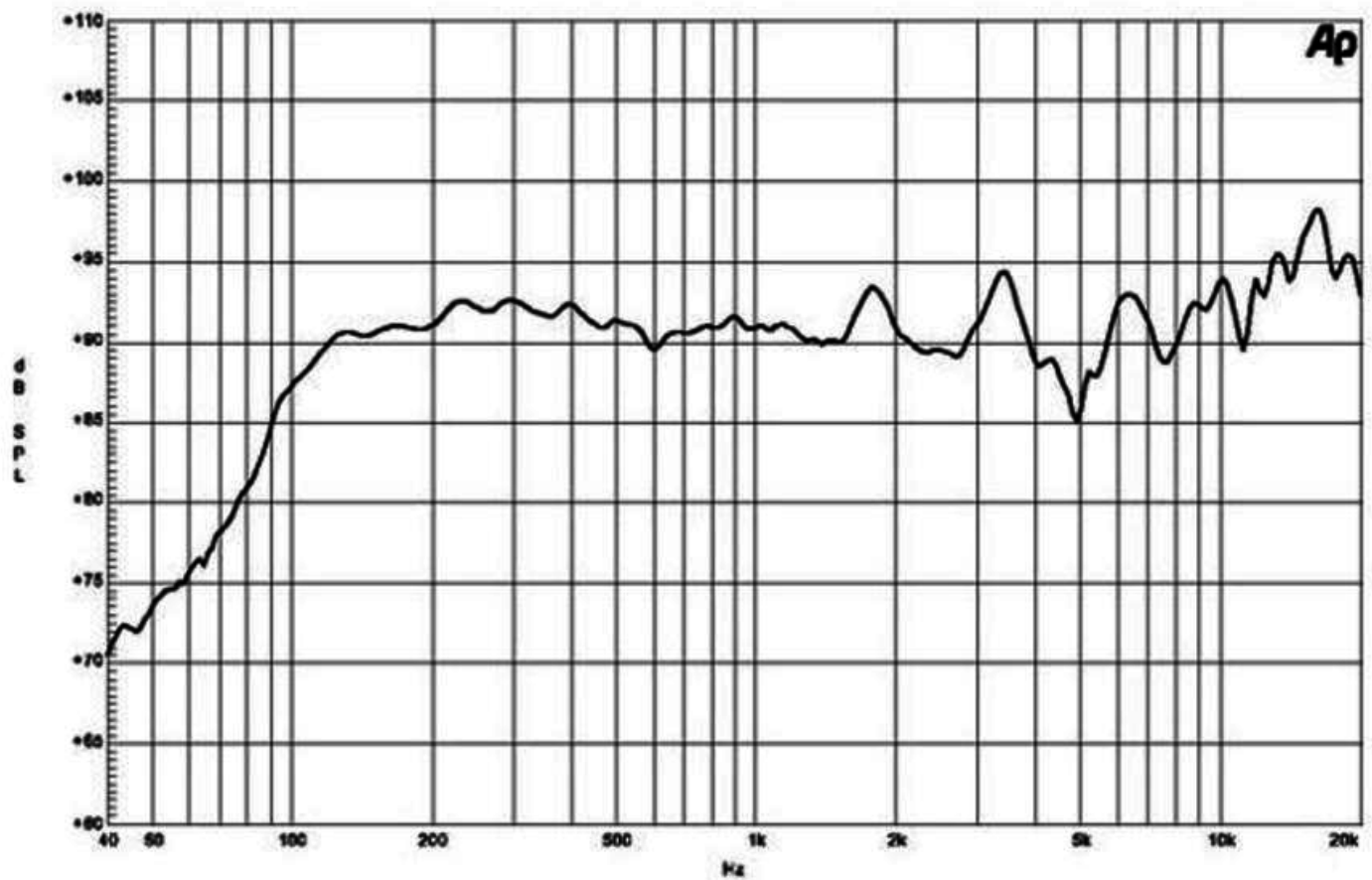
8CX21	8Ω
-------	----

Dedicated crossover network for 8CX21 coaxial speaker



# Crossovers

## FB08CX21 8 $\Omega$



# Crossovers

**FB08CX21** 8  $\Omega$

