

Crossovers

FB12CX32 8 Ω

SPECIFICATIONS

Nominal Impedance	8 Ω
Crossover Frequency	1.8 kHz
Filter Type	Two Way
Slope	12 - 12 dB/oct
Overall Dimensions	108x97 mm (4.25x3.82 in)

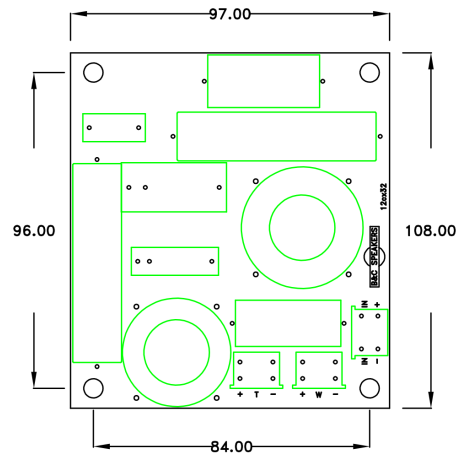
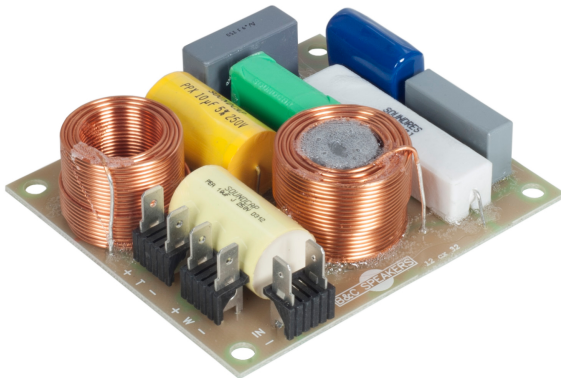
MOUNTING AND SHIPPING INFO

Net Weight	0.35 kg (0.77 lb)
Shipping Units	1 pcs
Shipping Weight	0.38 kg (0.84 lb)
Shipping Box	120x125x35 mm (4.72x4.92x1.38 in)

POTENTIAL APP. COAXIALS

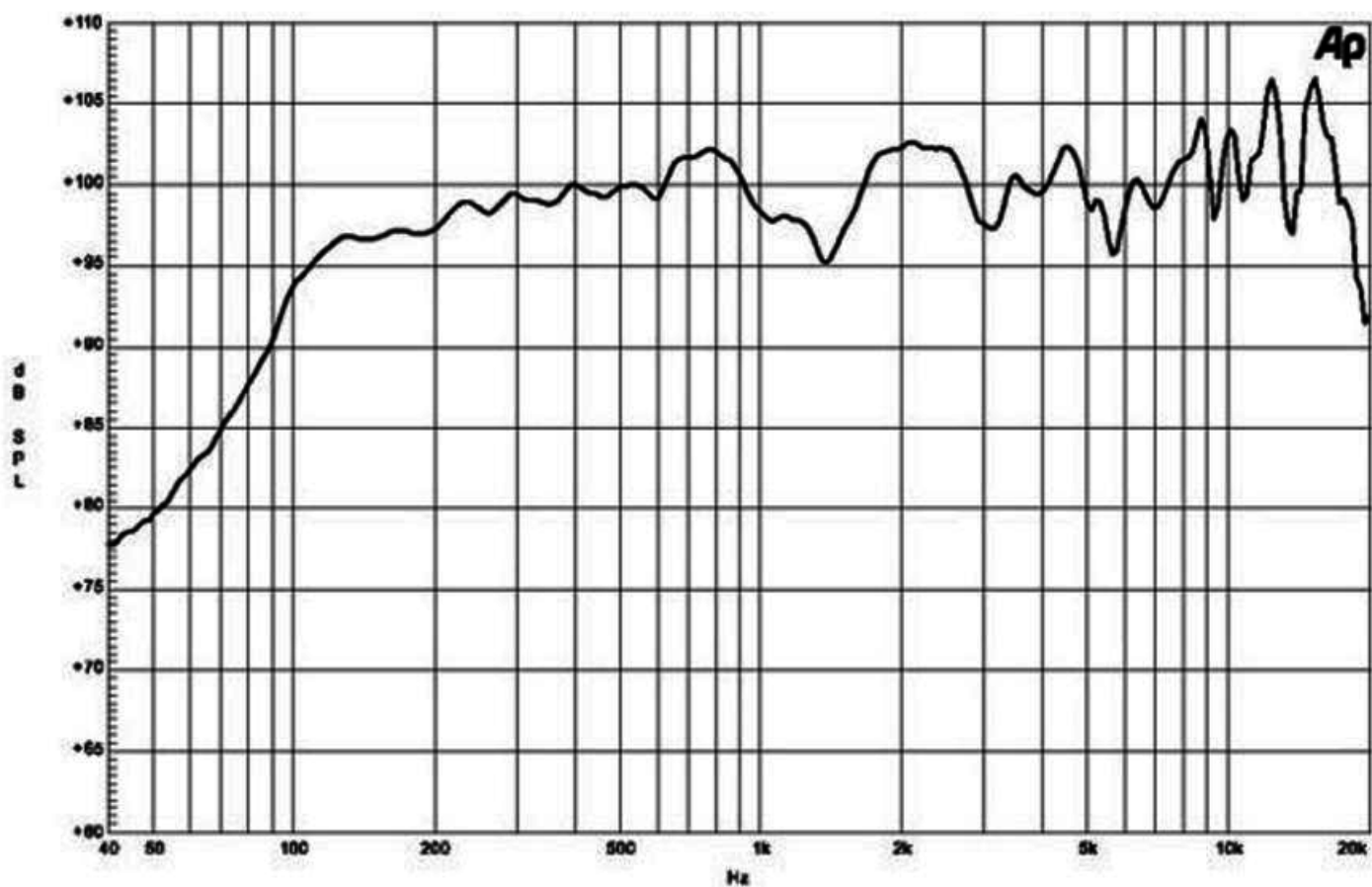
12CX32	8 Ω
--------	-----

Dedicated crossover network for 12CX32 coaxial speaker



Crossovers

FB12CX32 8 Ω



Crossovers

FB12CX32 8 Ω

