

Crossovers

FB12NCX 8 Ω

SPECIFICATIONS

Nominal Impedance	8 Ω
Crossover Frequency	1.5 kHz
Filter Type	Two Way
Slope	12 - 12 dB/oct
Overall Dimensions	116x105 mm (4.57x4.13 in)

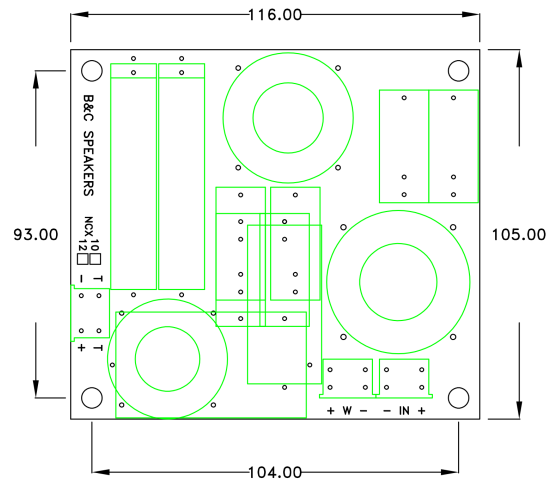
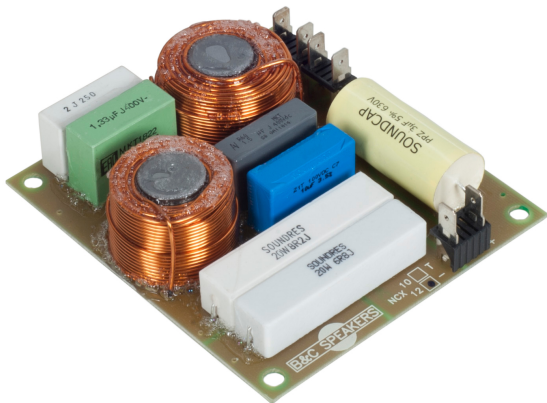
MOUNTING AND SHIPPING INFO

Other details	6 mm diameter holes on the PCB at 104 mm x 93 mm
Net Weight	0.48 kg (1.06 lb)
Shipping Units	1 pcs
Shipping Weight	0.51 kg (1.12 lb)
Shipping Box	120x125x35 mm (4.72x4.92x1.38 in)

POTENTIAL APP. COAXIALS

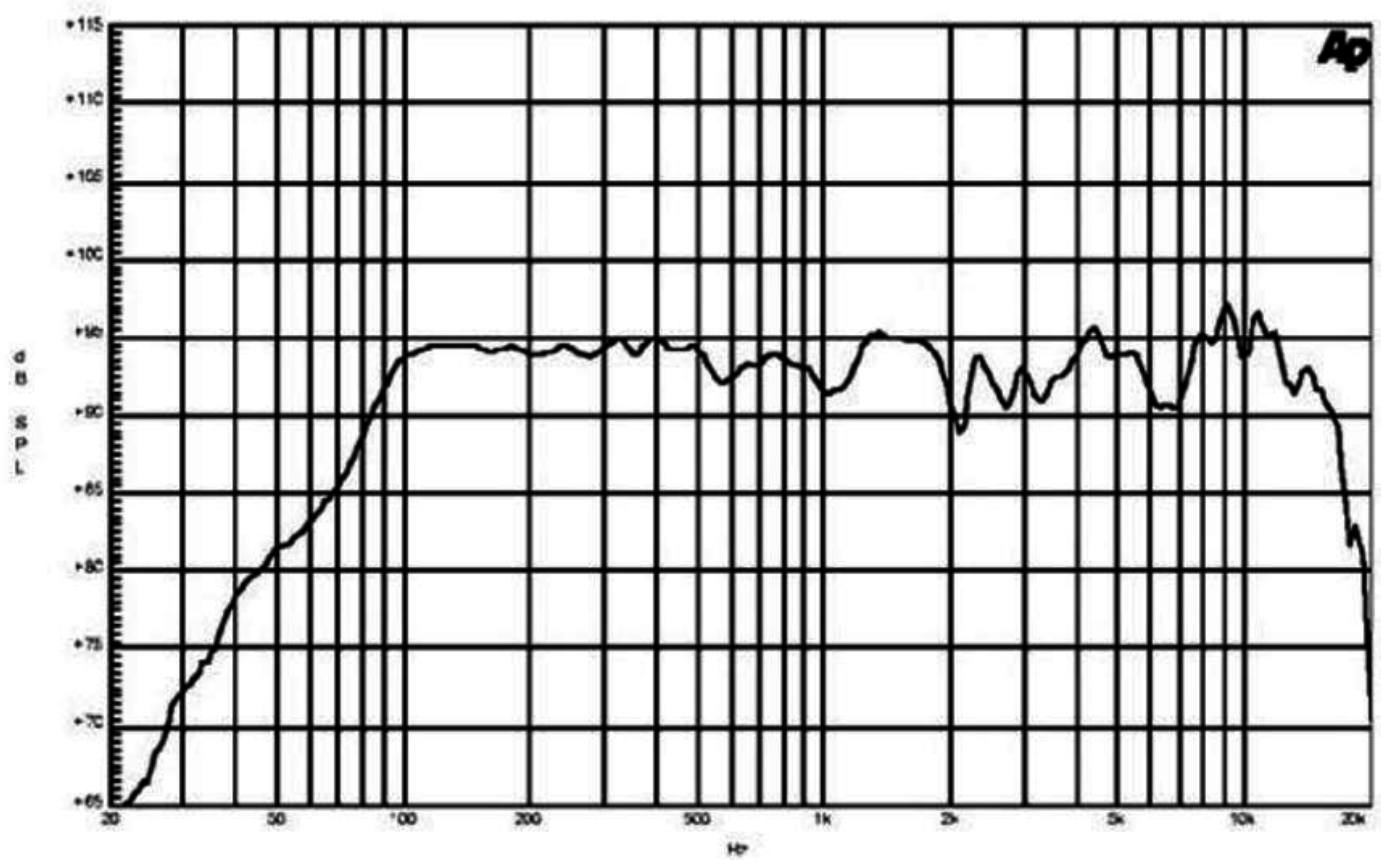
12NCX	8Ω
-------	----

Dedicated crossover network for 12NCX coaxial speaker



Crossovers

FB12NCX 8 Ω



Crossovers

FB12NCX 8 Ω

