

## ME102

## SPECIFICATIONS

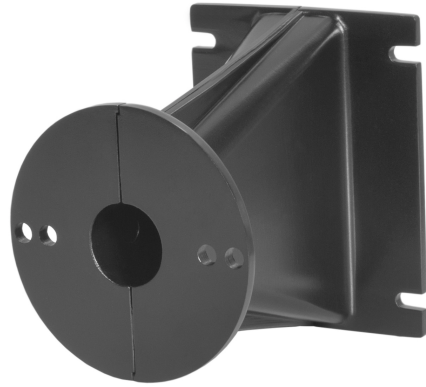
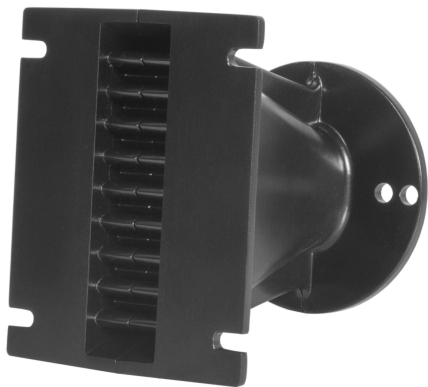
Horn mounted on B&amp;C DE 750 compression driver.

Throat Diameter	<b>25 mm (1 in)</b>
Nominal Coverage Horizontal	<b>140°</b>
Cutoff Frequency	<b>1 kHz</b>
Material	<b>Cast Aluminium</b>
Design	<b>Line Array Optimized Waveguide</b>
Dimensions	<b>110.6x87x111.6 mm (4.35x3.43x4.39 in)</b>

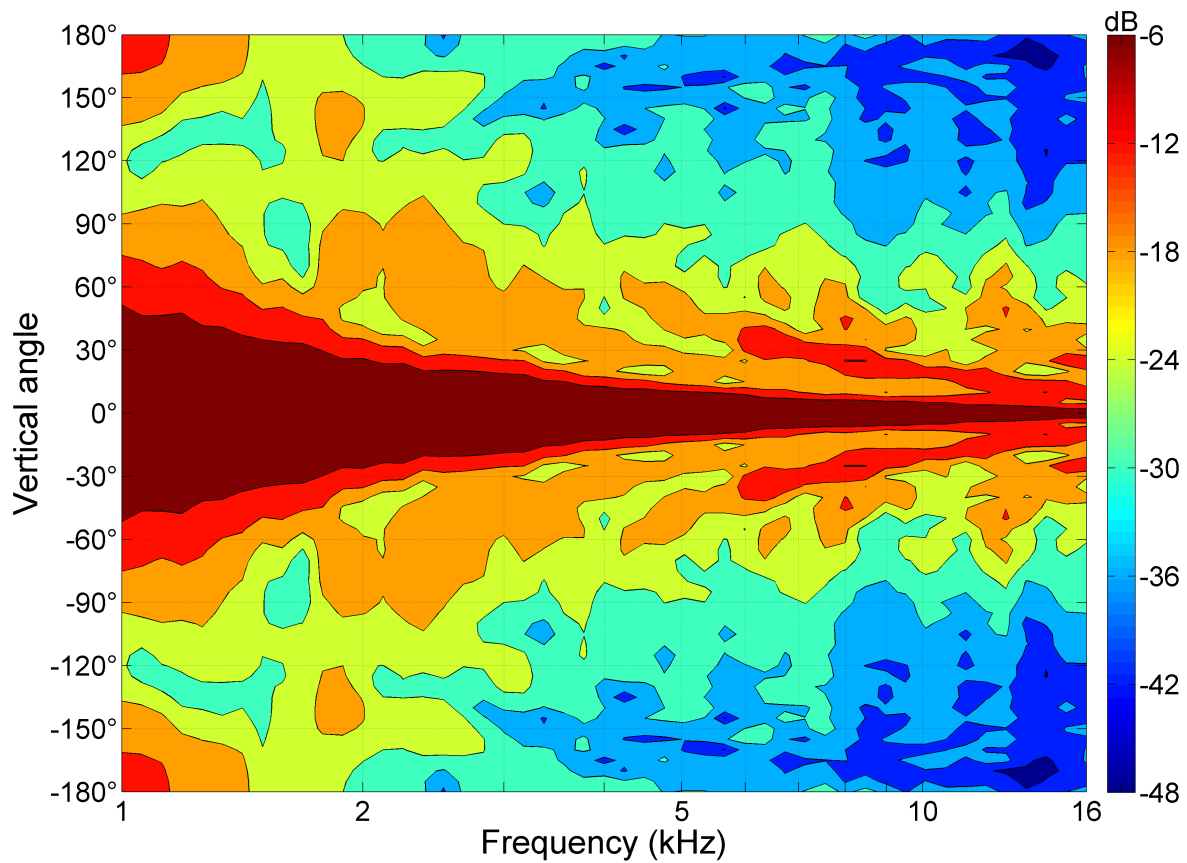
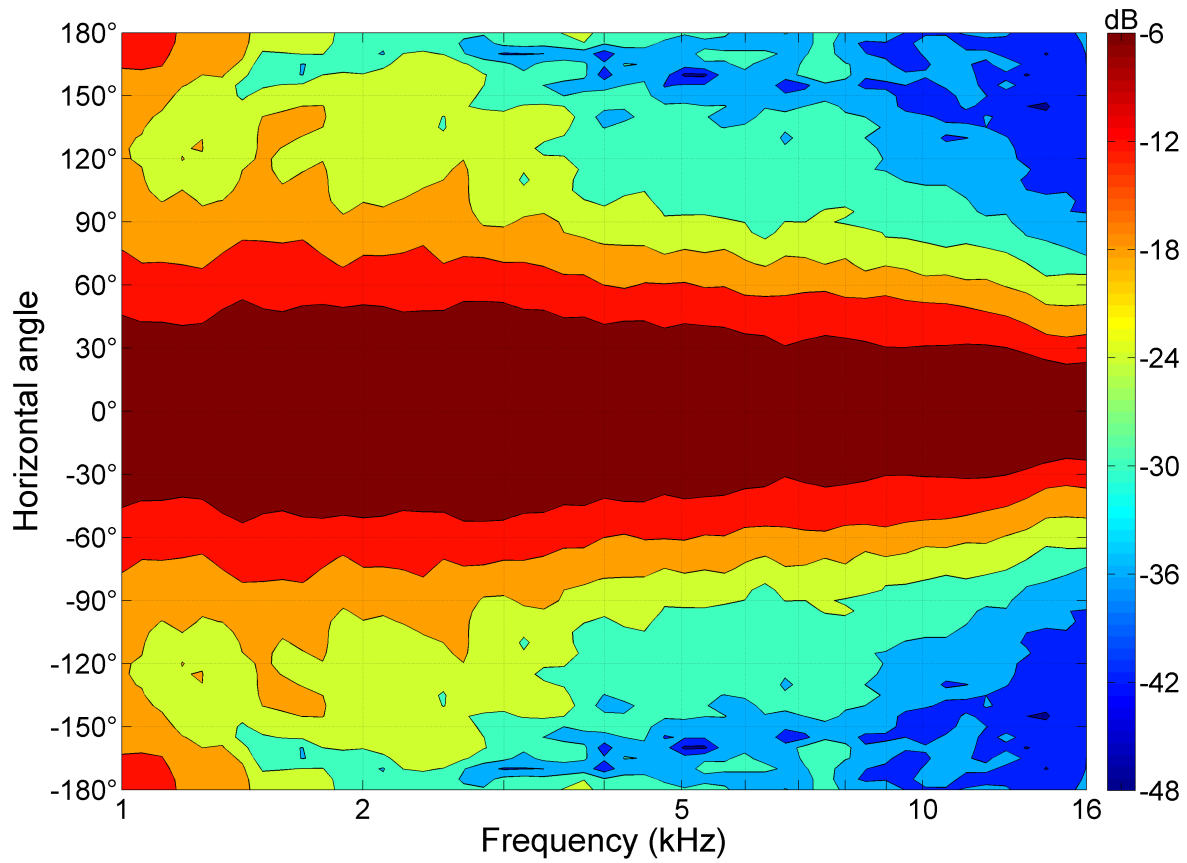
## MOUNTING AND SHIPPING INFO

Other details	<b>Two 6 mm (0.25 in) holes on 76 mm (3 in) diameter - Two 6 mm (0.25 in) holes on 57.2 mm (2.25 in) diameter</b>
Baffle Cutout Dimension	<b>102.4 mm (4.03 in)</b>
Air Volume Occupied by Driver	<b>0.15 dm<sup>3</sup> (0.01 ft<sup>3</sup>)</b>
Net Weight	<b>0.43 kg (0.95 lb)</b>
Shipping Units	<b>1 pcs</b>
Shipping Weight	<b>0.49 kg (1.08 lb)</b>
Shipping Box	<b>165x165x100 mm (6.50x6.50x3.94 in)</b>

- 1" throat entry
- Line Array optimized Waveguide
- 140° max horizontal coverage
- Vertical coverage depends on configuration
- Very good loading down to 1 kHz



## ME102



## ME102

