

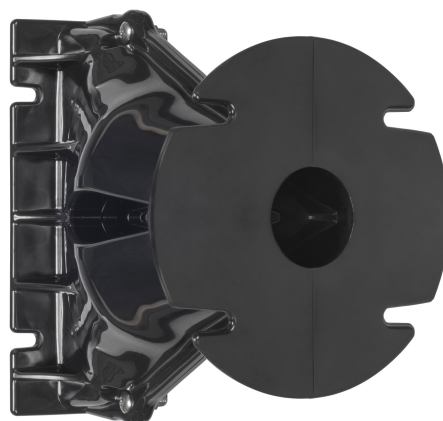
**ME146****SPECIFICATIONS**

Throat Diameter	<b>36 mm (1.4 in)</b>
Nominal Coverage Horizontal	<b>120°</b>
Cutoff Frequency	<b>0.5 kHz</b>
Material	<b>Polycarbonate</b>
Design	<b>Line Array Optimized Waveguide</b>

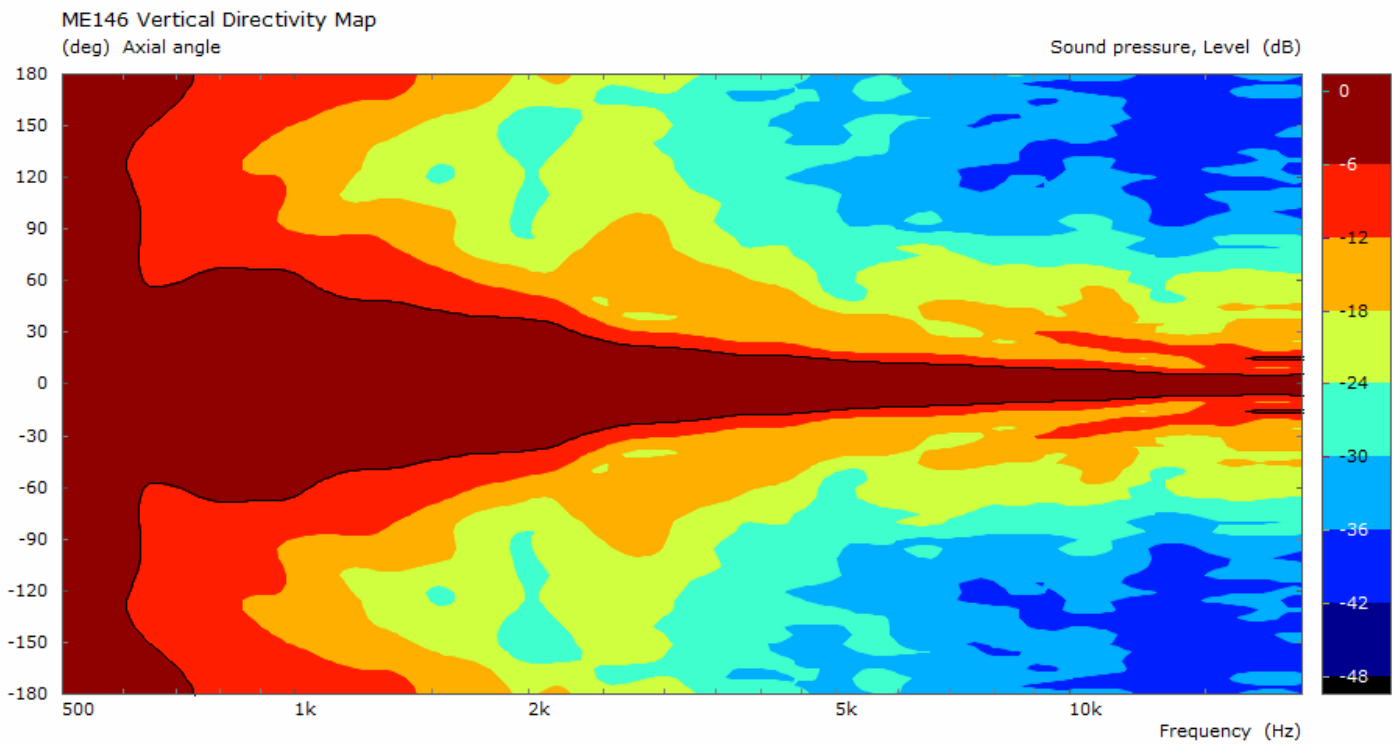
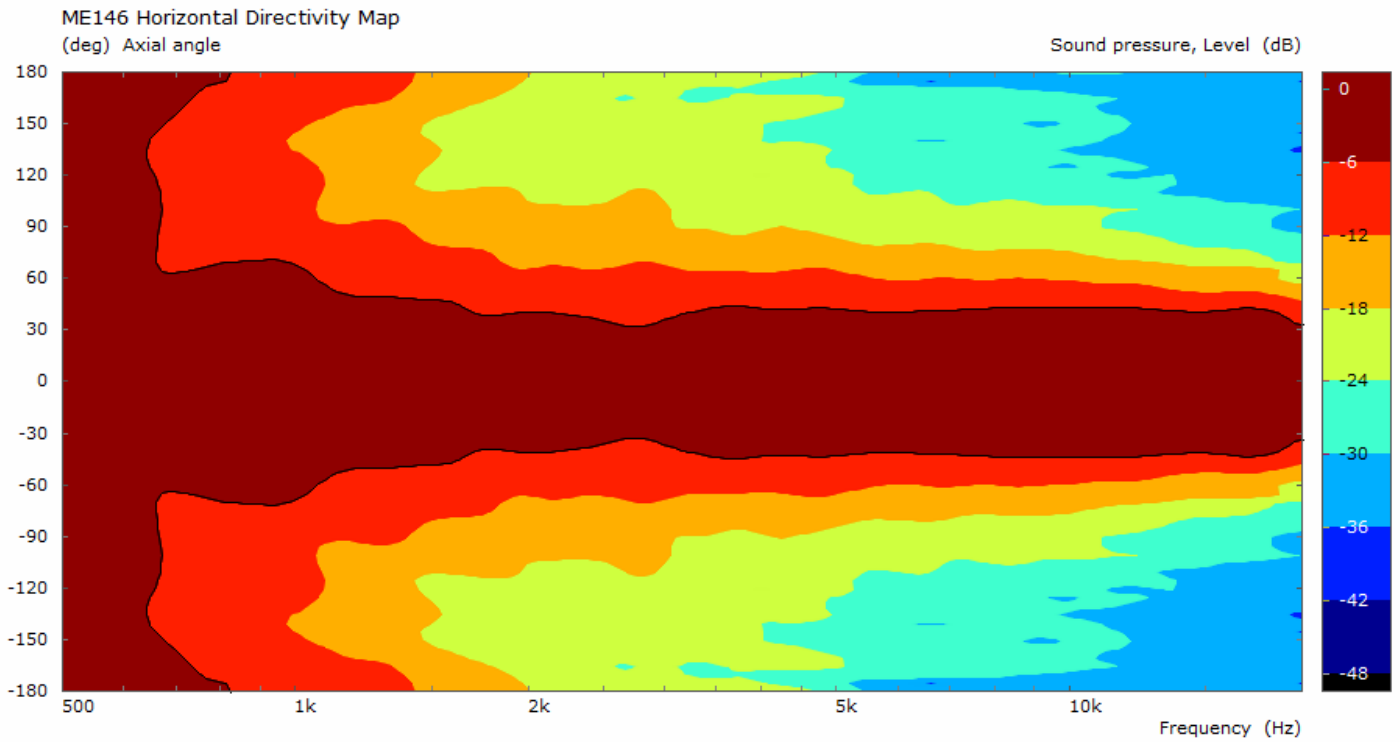
**MOUNTING AND SHIPPING INFO**

Net Weight	<b>0.64 kg (1.65 lb)</b>
Dimensions	<b>180x80x176 mm (7.1x3.15x6.9 in)</b>

- 1.4" throat entry
- Line Array optimized Waveguide
- 120° max horizontal coverage
- Vertical coverage depends on configuration
- Very good loading down to 500 Hz
- Designed specifically for the extra octaves present in our coaxial compression driver



## ME146



## ME146

